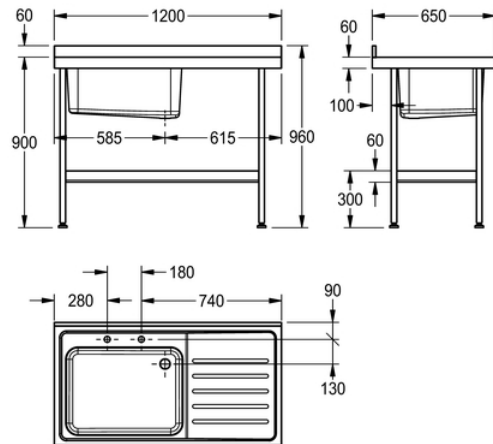


CATERING SINK: E20610R

E20610R | 2000100112

ARTICLE GROUP : E20610 ++ | ARTICLE FAMILY : Catering sinks | PRODUCT GROUP : Catering



Midi sinks are manufactured from 1.2mm thick austenitic grade stainless steel polished to a satin finish. All sinks have two tapholes behind each bowl drilled at 180mm centres. Single bowl sinks are suitable for either 13mm pillar taps or mixer taps whereas the double bowl sinks are only suitable for pillar taps. Bowls are all supplied with 38mm waste and standpipe strainer overflow. An earthing lug is fitted under the drainer. Stainless steel underframes complete with shelf are to be ordered as an extra part and are supplied in a flat pack form with easy to read assembly instructions. Each leg is fitted with an adjustable foot (-20, +10mm) with a working height of 900mm.

Single bowl, RH single drainer

TECHNICAL DATA

bowl - bowl depth	300.00 mm
bowl finish	satin finished
bowl - depth	610.00 mm
bowl - width	460.00 mm
drainer position	right
drainer or storage	drainer
gross weight	16.20 kg
material	stainless steel
material code	1.4301 Chrome Nickel steel V2A
material thickness	1.20 mm
overall depth	650.00 mm
overall height	900.00 mm
overall width	1,200.00 mm
rear upstand	yes
surface finish	satin finished
tap ledge	yes
type of mounting	floor mounting
waste hole position	right back corner
waste hole projection	220.00 mm
waste size	DN 40
net weight	16.20 kg

CATERING SINK: E20610R

E20610R | 2000100112

ARTICLE GROUP : **E20610 ++** | ARTICLE FAMILY : **Catering sinks** | PRODUCT GROUP : **Catering**

ACCESSORY



TAP: F1026

2000100345



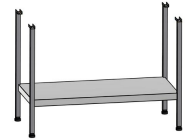
TAP: F1081

2000100388



TAP: F1083

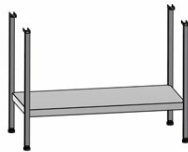
2000100389



UNDERFRAME

2000100525

RECOMMENDED PRODUCT



UNDERFRAME

2000100525
